

# LED Digital Voltmeter and Ammeter Displays

ISO 9001  
Certified

*for Panel Mount Applications*



These panel mounted LED meters are designed to fit into customer's automotive flat panel applications.

The 0.56" (14.224mm) LED character height provides for easy viewing of the displayed information. The stand alone design of these meters will permit independent use, or can be combined as a matched set.

Both meters are designed for use in specialty vehicles.

Specification	Voltmeter - VM-100	Ammeter - VM-200
Meter Type	Voltmeter	Ammeter
Operating Voltage	8 to 18 Volts - Direct Current (VDC)	8 to 18 Volts - Direct Current (VDC)
Maximum Operating Current	170 milliamps (mA)	170 milliamps (mA)
Maximum Operating Power	3 Watts (W)	3 Watts (W)
Input Voltage Range	0 to 80 Volts - Direct Current (VDC)	-60 to +60 millivolts (mV)
Operating Temperature Range	-40 to 70 degrees Centigrade (C)	-40 to 70 degrees Centigrade (C)
Accuracy	1 percent +/- 0.1 Volt	1 percent +/- 0.1 Ampere (A)
Temperature Drift	< 100 PPM/Degree C	< 100 PPM/Degree C
Display	3 digit, RED, 0.56 inches high	3 digit, RED, 0.56 inches high
Update Rate	4 per second	4 per second
Shunt Type	N/A	50 MV @ 200 A

**Contact your TST Representative for price and availability.**

Transportation Safety Technologies  
2400 Roosevelt Ave.  
Indianapolis IN 46218

800-428-4449 Toll Free in USA  
317-263-9160 Main  
317-263-0977 FAX  
[www.tst-corp.com](http://www.tst-corp.com)



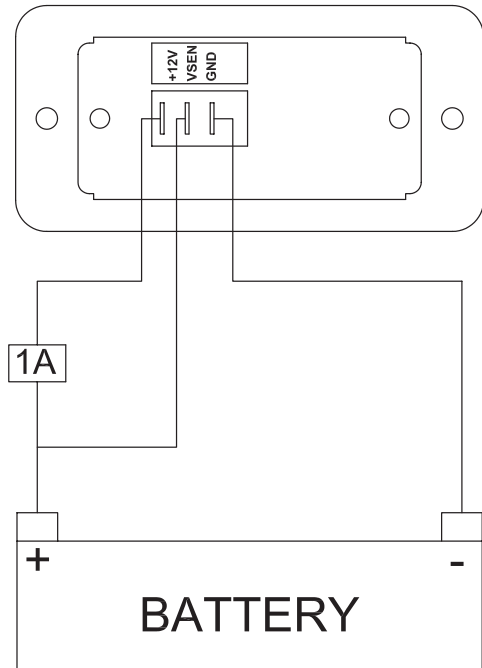
DEPENDABILITY

# LED Digital Voltmeter and Ammeter Displays

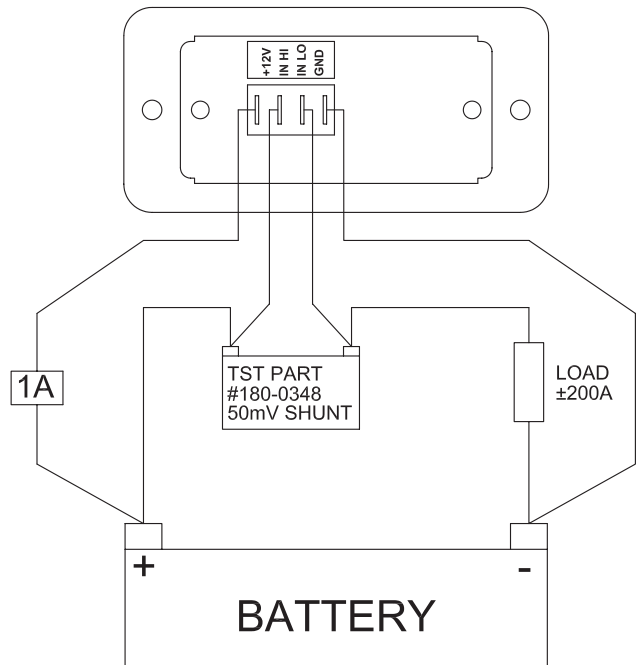
## Installation Data

These panel mounted LED meters from TST are designed to fit custom automotive flat panel applications. They perform well in the rigorous conditions frequently encountered by specialty vehicles.

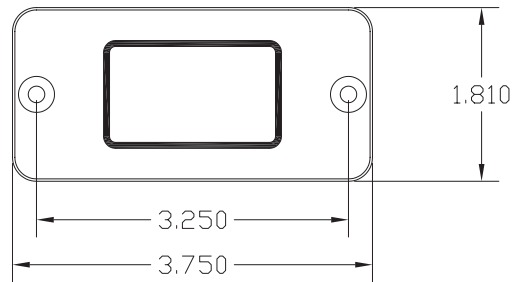
### Input Connections VM-100



### Input Connections VM-200



### Dimensions VM-100 and VM-200



VM-200 is compatible with TST's HECS-201 or conventional shunt (180-0348)



### VM-100 and VM-200 Panel Cutout

