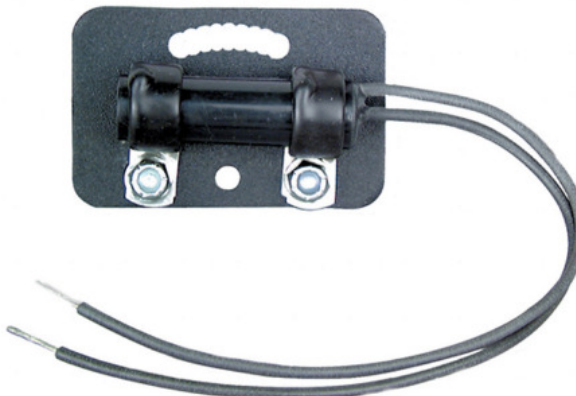


Adjustable Angle Mercury Switch

ISO 9001
Certified

Safety Aid for Sensing Maximum Angle

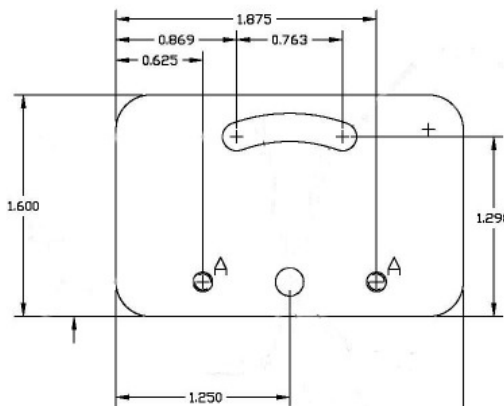


Part #:
MS-100

TST's ruggedly constructed adjustable angle Mercury Switch is used as a tip sensor to indicate "body-up". It can be used to trigger external devices such as a buzzer or relay. Many Dump Body Manufacturers use TST's Mercury Switch as a safety aid to sense maximum angle.

Specifications

Switching Voltage	240 Max Vac
Switching Current	5 amps at 240 Vac/ 10 amps at 240 Vac
Contact Resistance	5.0 Max Ohms
Operating Temperature	-20 to +70 degrees C.
Storage Temperature	-25 to +70 degrees C.
Cable/Termination	18 AWG wire insulated



**Made in the
USA**

Contact your TST Representative for price and availability.



TST/Riverside Mfg., LLC
14510 Lima Road
Ft. Wayne, IN 46818

www.tst-corp.com

800-428-4449 Toll Free in USA
260-637-4470 Main
260-637-4472 FAX

www.riversidemfg.com

