

# Primary/Secondary Flasher

ISO 9001  
Certified

Transportation Safety Technologies (TST) Primary/Secondary Flasher is an affordable, KKK compliant, heavy-duty, compact, solid-state emergency vehicle flasher. This unit combines rugged potted construction is an easy-to-install package.

Over-current and short-circuit protection make this flasher extremely safe and durable. Best of all- TST's Primary/Secondary Flasher has a maximum current output of 55 Amps per terminal.

TST Primary/Secondary Flasher also has unit diagnostics that tells you if the unit is OK or if there is a fault. TST gives you more power in this affordable, compact package. Call your TST representative today for more information on this flasher and other products for your emergency or specialty vehicle.



## **FEATURES:**

- ❖ Can be used with incandescent or LED warning lights
- ❖ Flush Rate- 75-80 flashes per minute
- ❖ Fully encapsulated (potted)
- ❖ Outputs have short-circuit protection
- ❖ Outputs have over-current protection
- ❖ Protected against reverse polarity
- ❖ Ground activated primary/secondary outputs
- ❖ Unit diagnostic LED's (Green for OK, Red for Fault)
- ❖ Maximum current output of 55 Amps per terminal
- ❖ Complies with Federal Specification: KKK-A-1822 D & E

**Made in the  
USA**

Transportation Safety Technologies  
2400 Roosevelt Ave.  
Indianapolis IN 46218

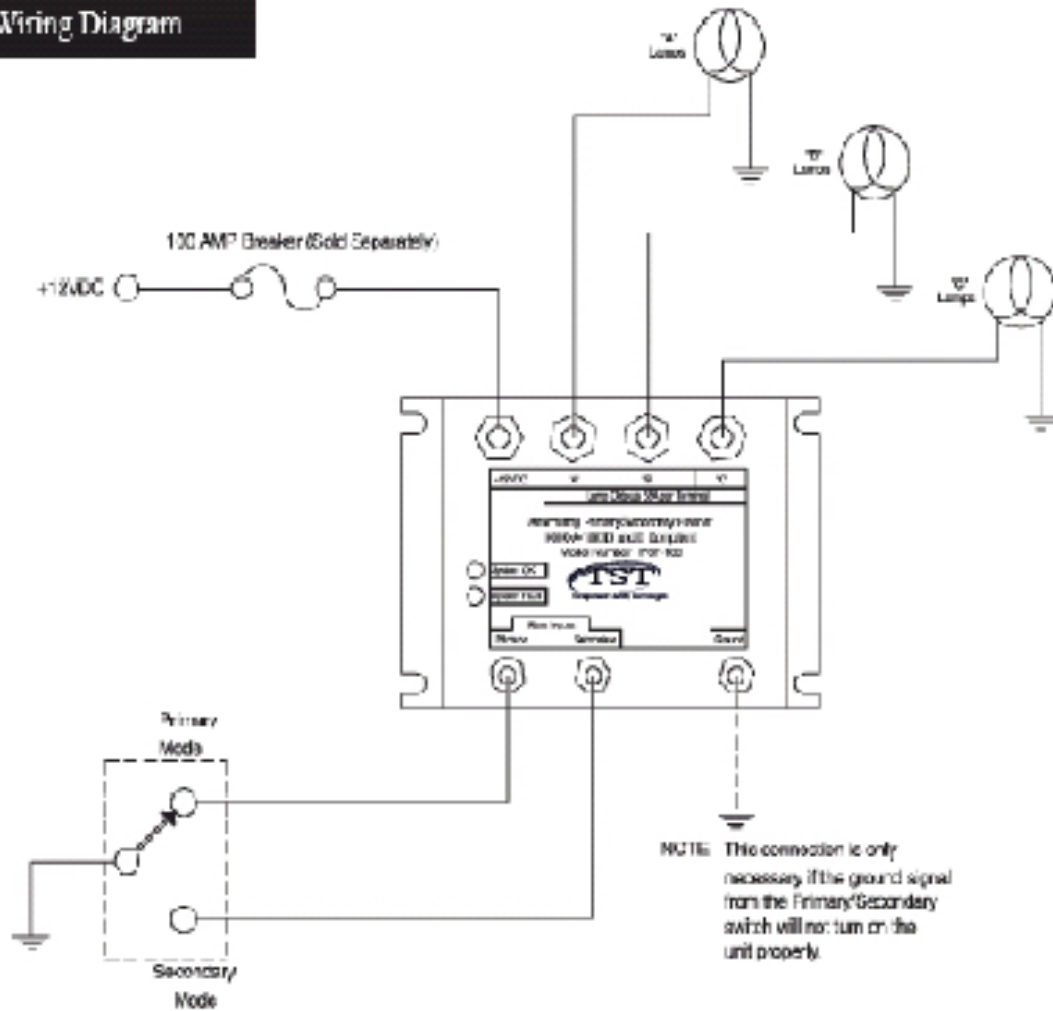
800-428-4449 Toll Free in USA  
317-263-9160 Main  
317-263-0977 FAX  
[www.tst-corp.com](http://www.tst-corp.com)



DURABILITY

# Primary/Secondary Flasher

## Wiring Diagram



## Specifications

**Size:** 5.0" W x 2.75" H x 3.5" D

**Weight:** 1.5 lbs

**Operating Voltage:** 9 - 18 VDC

**Off Key Current Draw:** 0A

**Operating Temperature:** -40F - +158F (-40 - +70C)

**Input Signal Current Draw:** 14mA

**Output Amperage Ratings:** 55 Amps Each

**Maximum Total Unit Current:** 100A

**Flash Rate:** 75-80 Flashes per Minute