

Primary/Secondary Flasher

ISO 9001
Certified

Transportation Safety Technologies (TST) Primary/Secondary Flasher is an affordable, KKK compliant, heavy-duty, compact, solid-state emergency vehicle flasher. This unit combines rugged potted construction is an easy-to-install package.

Over-current and short-circuit protection make this flasher extremely safe and durable. Best of all- TST's Primary/Secondary Flasher has a maximum current output of 55 Amps per terminal.

TST Primary/Secondary Flasher also has unit diagnostics that tells you if the unit is OK or if there is a fault. TST gives you more power in this affordable, compact package. Call your TST representative today for more information on this flasher and other products for your emergency or specialty vehicle.



FEATURES:

- ❖ Can be used with incandescent or LED warning lights
- ❖ Flash Rate- 75-80 flashes per minute
- ❖ Fully encapsulated (potted)
- ❖ Outputs have short-circuit protection
- ❖ Outputs have over-current protection
- ❖ Protected against reverse polarity
- ❖ Ground activated primary/secondary outputs
- ❖ Unit diagnostic LED's (Green for OK, Red for Fault)
- ❖ Maximum current output of 55 Amps per terminal
- ❖ Complies with Federal Specification: KKK-A-1822 D & E

Transportation Safety Technologies
2400 Roosevelt Ave.
Indianapolis IN 46218

800-428-4449 Toll Free in USA
317-263-9160 Main
317-263-0977 FAX
www.tst-corp.com

Made in the
USA



Primary/Secondary Flasher

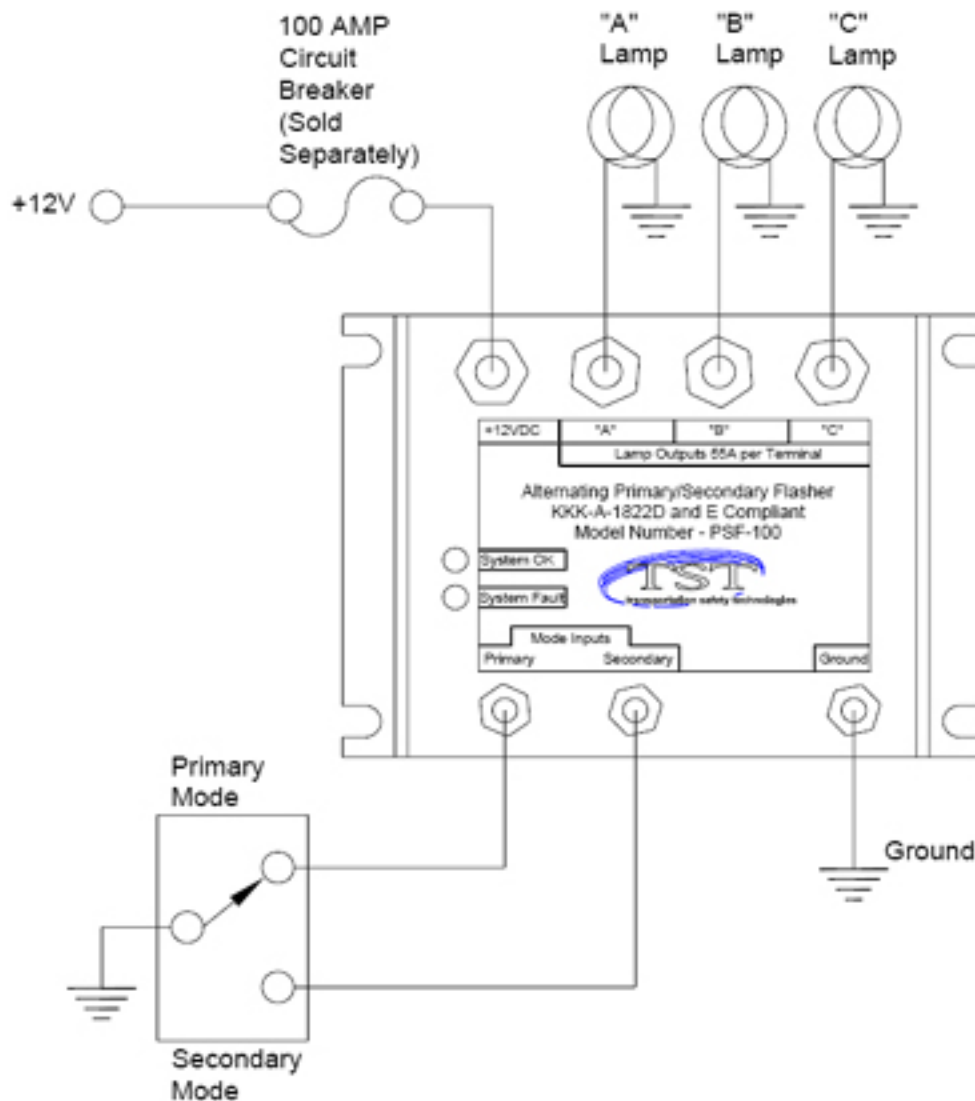


Figure 1: Typical PSF-100 Installation

Size: 5.0"W x 2.75"H x 3.5"D

Weight: 1.5 lbs

Operating Voltage: 9-18 VDC

Key Off Current Draw: 0A

Operating Temperature: -40F - + 158F (-40C - +70C)

Input Signal Current Draw: 14mA

Output Amperage Ratings: 55 Amps Each

Maximum Total Unit Current: 100A

Flash Rate: 75-80 flashes per minute