

# TouchTek™ 16

ISO 9001  
Certified

## *DuraMUX™ Control System*

The TouchTek™ 16 is a complete Duramux™ (multiplex) electrical system that includes a sixteen function (plus 2 solid state outputs) switch control panel and distribution center. Our “plug and play” connections allows you to hook up 2 TouchTek™ panels to 1 PDC.

The TouchTek™ 16 is operationally programmed from the switch panel with a “lock out” to secure the program. Load Management is included in the software and legends can be modified from the front without special tools. Reliable TouchTek™ switching insures durability and performance in this economical package.



### **FEATURES:**

- ❖ 4-Wire Duramux™ (multiplex) control system
- ❖ (4) 30-amp relay controlled outputs
- ❖ (10) 20-amp relay controlled outputs
- ❖ All relays are replaceable
- ❖ (4) 10-amp solid state outputs
- ❖ Programmable Pursuit and On-Scene mode sequencer
- ❖ Programmable Load Manager
- ❖ Automatically changes from Pursuit mode to On-Scene mode with change of neutral signal
- ❖ Hi-idle output
- ❖ Solid state outputs can be selectable to alternately flash, “wig-wag”
- ❖ Maximum continuous current, 130 amps
- ❖ Relay outputs protected by Manual Reset Circuit Breakers
- ❖ Solid state outputs protected by intelligent on-board over-current protections
- ❖ Full LED diagnostics on all inputs and outputs
- ❖ Dual control panel option

**Made in the  
USA**

Transportation Safety Technologies  
2400 Roosevelt Ave.  
Indianapolis IN 46218

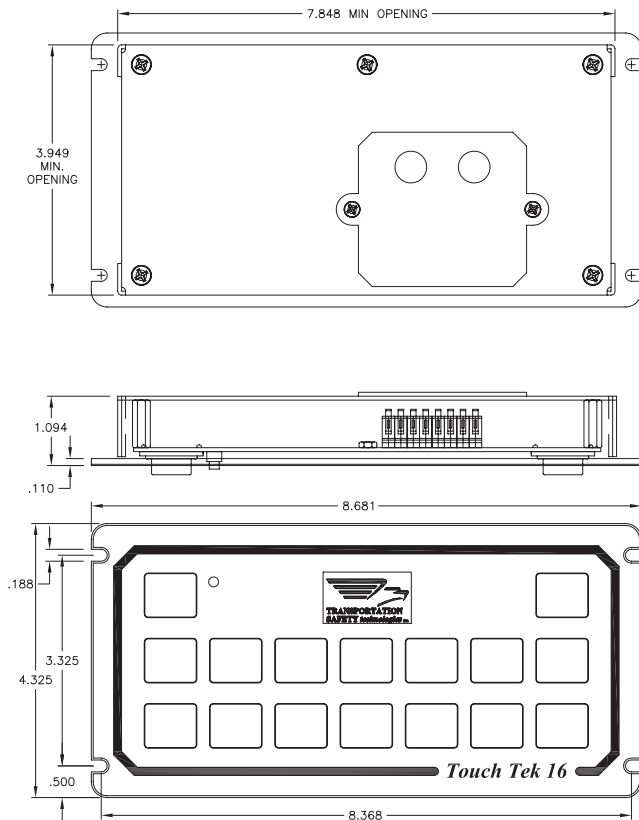
800-428-4449 Toll Free in USA  
317-263-9160 Main  
317-263-0977 FAX  
[www.tst-corp.com](http://www.tst-corp.com)



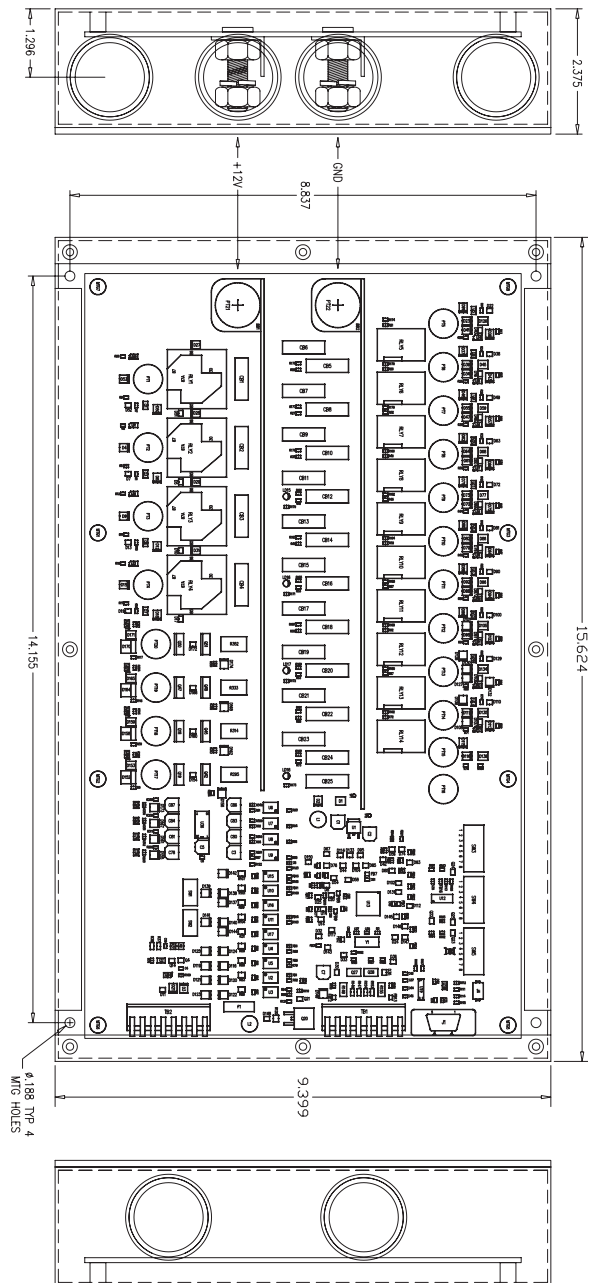
# TouchTek™ 16

## DuraMUX™ Control System

Front Panel



PDC Box



### Specifications

**Operating Voltage:** 9-16 VDC

**Operative Temperature:** -40 °C to 70 °C

**Key Off Current:** < 10 mA

**Maximum Current:** 160A, 130A continuous current

**Low Voltage Trip Set:** 11.8 or 12.5 (selectable)

**Circuit Protection:** Manual Reset Standard

**Interface Cable:** up to 25ft, 18WGA (not included)